

Product data sheet

Specifications



regulated SMPS, single phase,
100..240 V input, 12 V output, 60 W

ABL1REM12050

⚠ Discontinued

Main

| | |
|-----------------------------|--|
| Range of Product | Phaseo Dedicated |
| Product or Component Type | Power supply |
| Power supply type | Regulated switch mode |
| Kw Rating | 60 W |
| Nominal Input Voltage | AC single phase DC |
| Output voltage | 12 V DC |
| Power supply output current | 5 A |
| Operating position | Any position |
| Vibration resistance | 2 gn 9...150 Hz)EN/IEC 61131-2 3.5 mm 5...9 Hz)EN/IEC 61131-2 |
| Name of test | Conducted interference EN 61000-4-8 level 4 Electrostatic discharges EN/IEC 61000-4-2 level 3 Induced electromagnetic field EN/IEC 61000-4-6 level 3 Radiated electromagnetic field EN/IEC 61000-4-3 level 3 Rapid transient IEC 61000-4-4 level 3 Conducted/radiated emissions EN 55022 Class B Conducted/radiated emissions EN/IEC 55011 Emission EN/IEC 61000-6-3 Primary outage IEC 61000-4-11 Surge EN/IEC 61000-4-5 |

Complementary

| | |
|------------------------|---------------------------------------|
| Input voltage limits | 85...264 V |
| Network Frequency | 47...63 Hz |
| Inrush current | 50 A 115 V AC 100 A 230 V AC |
| Cos phi | 0.65 |
| Efficiency | 80 % |
| Power dissipation in W | 15 W |
| Current consumption | 1 A 240 V 2 A 100 V |
| Input protection type | Integrated fuse (not interchangeable) |
| Output voltage limits | 10.8...13.2 V |

Disclaimer: This documentation is not intended as a substitute for and is not to be used for determining suitability or reliability of these products for specific user applications

| | |
|--|--|
| Line and load regulation | +/- 3 % |
| Holding time | >= 10 ms 100 V >= 40 ms 240 V |
| Output protection type | Against overload 1.1...1.5 x In Against overvoltage tripping if U > 1.25 x Un Against short-circuits automatic reset Thermal |
| Connections - terminals | Ground connection screw type terminals 1 x 4 mm ² AWG 12 Input connection screw type terminals 2 x 4 mm ² AWG 12 Output connection screw type terminals 2 x 4 mm ² AWG 12 |
| Marking | CE |
| Mounting Support | Panel Reversible mounting bracket |
| Operating altitude | 6561.68 ft (2000 m) |
| Output coupling | Series Parallel |
| Overvoltage category | II |
| Meantime between failure [MTBF] | 100000 h 104 °F (40 °C) |
| Status LED | Output voltage 1 LED Green) |
| Net Weight | 0.97 lb(US) (0.44 kg) |

Environment

| | |
|--|--|
| Product Certifications | KC RCM CSA 22-2 No 60950-1 EAC TUV 60950-1 cCSAus UL 508 |
| Environmental characteristic | EMC EN 50081-1 EMC EN 50082-2 EMC EN 61000-6-3 EMC EN/IEC 61000-6-2 Safety EN/IEC 60950-1 Safety SELV |
| IP degree of protection | IP20 conforming to EN/IEC 60950 |
| Ambient air temperature for operation | 32...113 °F (0...45 °C) without derating) 113...140 °F (45...60 °C) with derating factor) |
| Ambient Air Temperature for Storage | -13...185 °F (-25...85 °C) |
| Relative humidity | 20...90 % |
| Overvoltage category | Class I VDE 0106-1 |
| Pollution degree | 2 |
| Dielectric strength | 1500 V between input and ground 3000 V between input and output 500 V between output and ground |

Ordering and shipping details

| | |
|------------------------------|---------------------------------------|
| Category | 22524 - ABL1 DEDICATED POWER SUPPLIES |
| Discount Schedule | CP12 |
| GTIN | 3389110637991 |
| Nbr. of units in pkg. | 1 |
| Package weight(Lbs) | 20.74 oz (588 g) |
| Returnability | No |
| Country of origin | CN |

Packing Units

| | |
|------------------------------|---------------------------|
| Unit Type of Package 1 | PCE |
| Package 1 Height | 2.17 in (5.5 cm) |
| Package 1 width | 4.65 in (11.8 cm) |
| Package 1 Length | 9.25 in (23.5 cm) |
| Unit Type of Package 2 | S03 |
| Number of Units in Package 2 | 15 |
| Package 2 Weight | 19.70 lb(US) (8.934 kg) |
| Package 2 Height | 11.81 in (30 cm) |
| Package 2 width | 11.81 in (30 cm) |
| Package 2 Length | 15.75 in (40 cm) |
| Unit Type of Package 3 | P06 |
| Number of Units in Package 3 | 120 |
| Package 3 Weight | 186.87 lb(US) (84.764 kg) |
| Package 3 Height | 30.31 in (77 cm) |
| Package 3 width | 31.50 in (80 cm) |
| Package 3 Length | 23.62 in (60 cm) |

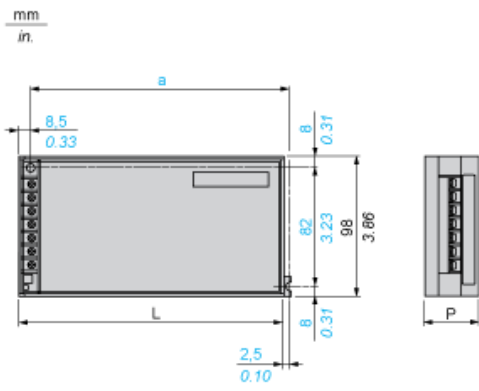
Offer Sustainability

| | |
|----------------------------|---|
| Sustainable offer status | Green Premium product |
| California proposition 65 | WARNING: This product can expose you to chemicals including: Lead and lead compounds, which is known to the State of California to cause cancer and birth defects or other reproductive harm. For more information go to www.P65Warnings.ca.gov |
| REACH Regulation | REACH Declaration |
| EU RoHS Directive | Pro-active compliance (Product out of EU RoHS legal scope) EU RoHS Declaration |
| Mercury free | Yes |
| RoHS exemption information | Yes |
| China RoHS Regulation | China RoHS declaration |
| Environmental Disclosure | Product Environmental Profile |
| Circularity Profile | End of Life Information |
| PVC free | Yes |

Contractual warranty

| | |
|----------|-----------|
| Warranty | 18 months |
|----------|-----------|

Dimensions



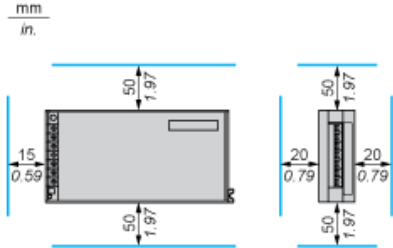
Dimensions in mm

| a | L | P |
|-----|-----|----|
| 144 | 150 | 38 |

Dimensions in in.

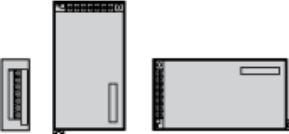
| a | L | P |
|------|------|------|
| 5.67 | 5.91 | 1.50 |

Clearance



Mounting Way

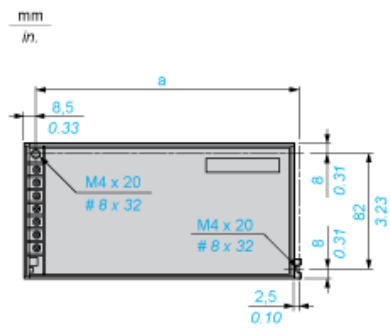
Mounting on Vertical Plane



Mounting on Horizontal Plane



Direct Mounting by 2 M4 x 20 Screws



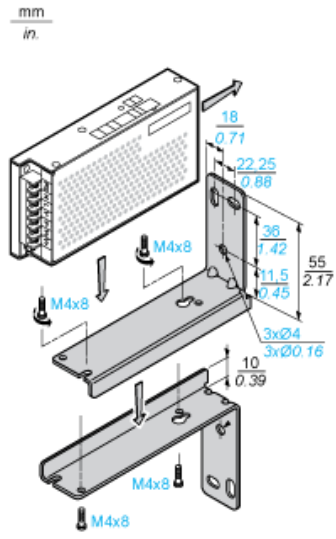
Dimensions in mm

| |
|-----|
| a |
| 144 |

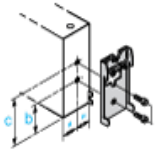
Dimensions in in

| |
|------|
| a |
| 5.67 |

Mounting on the Back on ABL 1A01 Reversible Bracket by Three 4 mm Diameter Screws



Mounting by the Back



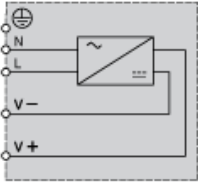
Dimensions in mm

| b | c |
|----|----|
| 38 | 58 |

Dimensions in in.

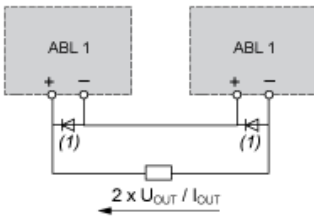
| b | c |
|------|------|
| 1.50 | 2.28 |

Internal Wiring Diagram

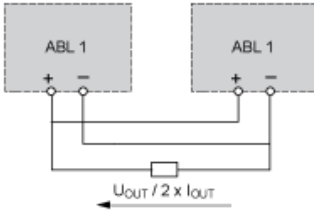


Series or Parallel Connection

Series Connection



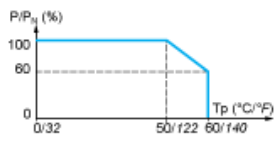
Parallel Connection



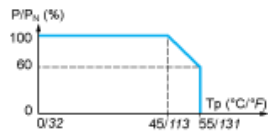
(1) 8 A/100 V Schottky diode

Derating Curves

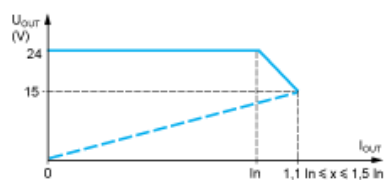
Mounting on Vertical Plane



Mounting on Horizontal Plane



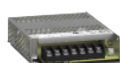
Load Limits Curve



Recommended replacement(s)

ABL1REM12050 is replaced by:

1x



Regulated Power Supply, 100...240V AC, 12V 8.5A, single phase, Panel Mount
ABLP1A12085
